



Illustrated Parts List

Pressure Washer / Lavadora de Presión
Model / Modelo 020213



Questions? Preguntas? **Helpline - 1-888-611-6708** M-F 8-5 CT

Troy-Bilt® is a registered trademark of Troy-Bilt, LLC and is used under license to Briggs & Stratton Power Products.

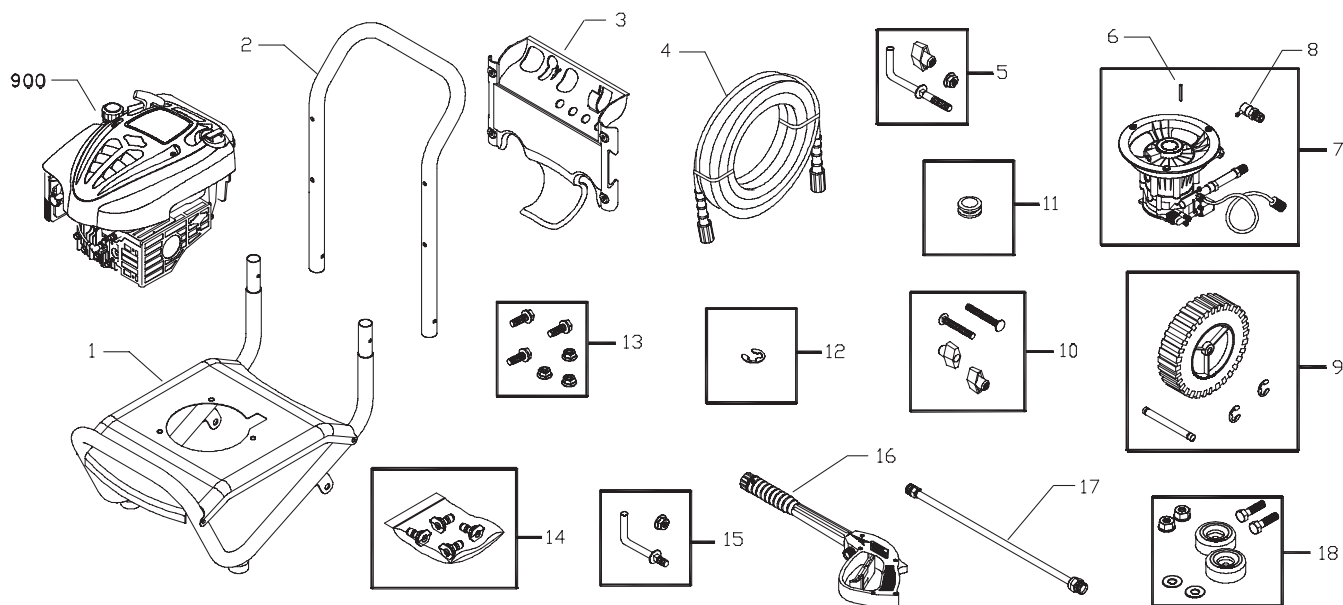
Troy-Bilt® es una marca registrada de Troy-Bilt, LLC y se usa abajo licencia a Briggs & Stratton Power Products.

BRIGGS & STRATTON POWER PRODUCTS GROUP, LLC
JEFFERSON, WISCONSIN, U.S.A.

Manual No. 201019A Revision - (07/13/2006)

Exploded Views and Parts List

EXPLODED VIEW AND PARTS LIST - MAIN UNIT



Item	Part #	Description
1	201177GS	ASSY, Base
2	P195428GS	HANDLE
3	201176GS	KIT, Billboard with Clips
	195964GS	Clips, Tree
4	196006GS	HOSE
5	194264GS	KIT, Hook, Handle
6	23139GS	KEY
7	199735GS	ASSY, Pump (see page 3)
8	194298GS	VALVE, Thermal Relief
9	200730GS	KIT, Wheel
10	B2203GS	KIT, Handle Connector
11	30809GS	GROMMET
12	192050GS	E-RING
13	192645GS	KIT, Pump Mounting Hardware
14	200557GS	KIT, Nozzles
	195983AEGS	Nozzle, QC, Red
	195983RGS	Nozzle, QC, White
	195983XGS	Nozzle, QC, Yellow
	198841GS	Nozzle, Soap
15	192309GS	KIT, Hook, Base

Item	Part #	Description
16	193482GS	GUN
17	190779GS	ASSY, Extnsn, QC
18	192310GS	KIT, Vibration Mount
900	§	ENGINE

Items Not Illustrated:

201019GS	MANUAL, Operator's
MS6847	MANUAL, Engine
194256GS	KIT, Tag/Warning Srv
192006GS	AXLE
BB3061BGS	OIL BOTTLE
87815GS	GOGGLES

Optional Accessories:

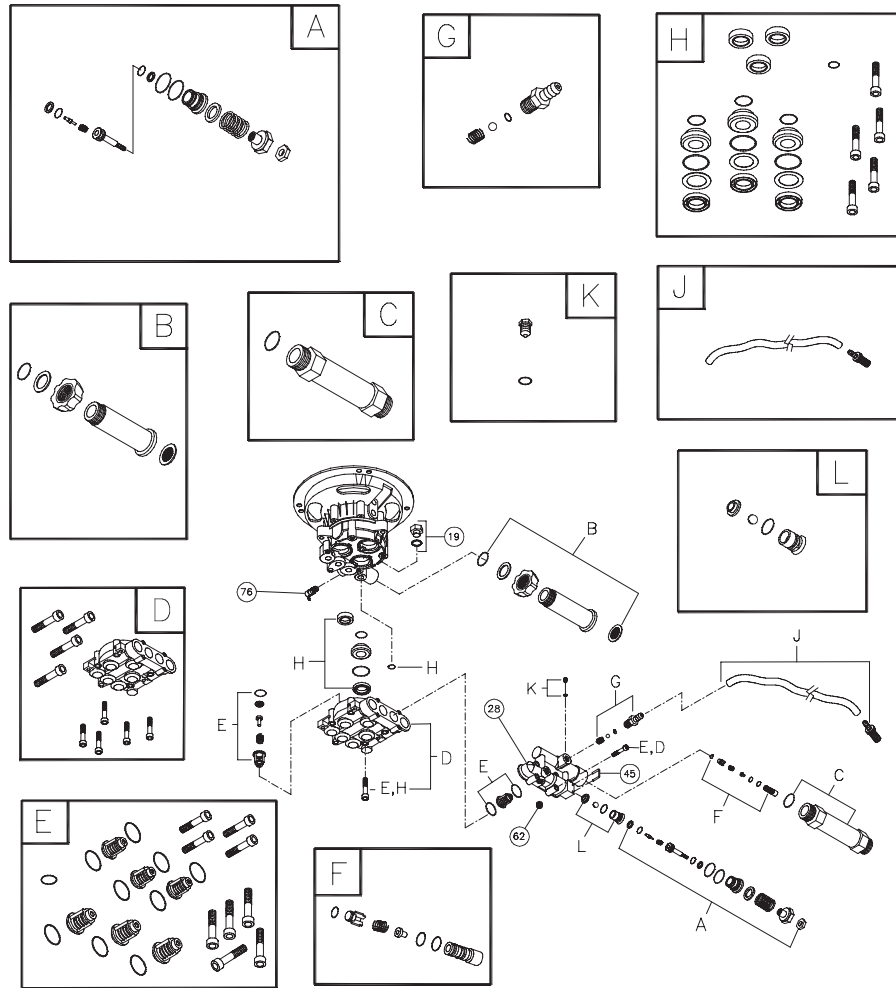
100031	STABILIZER, Fuel
100516GS	KIT, O-Ring
6039	PUMP SAVER

§ - Contact Engine Manufacturer

Copyright © 2006 Briggs & Stratton Power Products Group, LLC. All rights reserved. No part of this material may be reproduced or transmitted in any form by any means without the express written permission of Briggs & Stratton Power Products Group, LLC.

Exploded Views and Parts List

EXPLODED VIEW AND PARTS LIST - PUMP



Item	Part #	Description
19	190571GS	CAP, Oil
28	190627GS	MANIFOLD
45	190578GS	PIN
62	190581GS	CAP, 1/8
76	194298GS	THERMAL RELIEF
A	190594GS	KIT, UNLOADER STEM
B	190632GS	KIT, WATER INLET, ALUM
C	190634GS	KIT, OUTLET, ALUM
D	199708GS	KIT, HEAD ALUM
E	193806GS	KIT, CHECK VALVES
F	190592GS	KIT, INLET CHECK
G	190593GS	KIT, CHEMICAL INJECTION
H	193807GS	KIT, SEAL SET
J	189971GS	KIT, CHEMICAL HOSE

Item	Part #	Description
K	193971GS	KIT, PIPE FITTING
L	193972GS	KIT, UNLOADER SEAT

Items Not Illustrated:

B2384GS FILTER, Inlet

Optional Accessories:

190586GS OIL BOTTLE
186452GS FILTER, Inlet, Bag of 10

NOTE: Item letters A - L are service kits and include all parts shown within the box.